



inno space

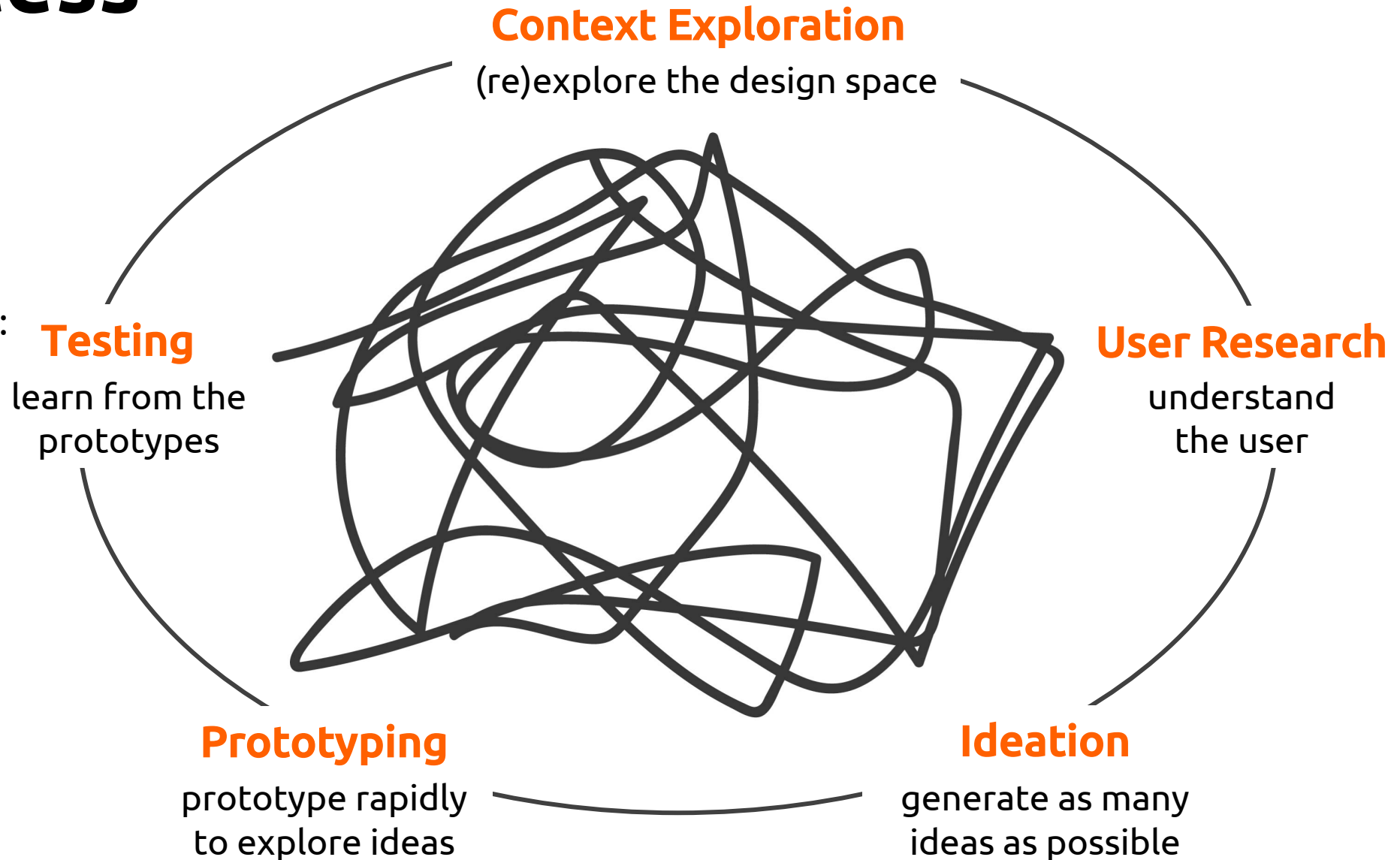
DESIGN FACTORY MANNHEIM

CBI A³



The process

Our teaching and project facilitation is based on the **following stages** (further methods are applied depending on the program specifics):





The Program



CBI A³ (Challenge Based Innovation)



- Brings **CERN technologies** and the **UN Sustainable Development Goals** (SDG) together.
- **Future scenarios** for 2030.
- Local teams connected to a global **community**

- Open for **master students** of the Mannheim University of Applied Sciences
- Duration: From the beginning of October to the beginning of May.
- ECTS: 20 ECTS (the recognition of credits is handled by the respective faculty). The workload is approx. 2 days a week.





Past Projects





SiMA (Simple Medicine Applicator)

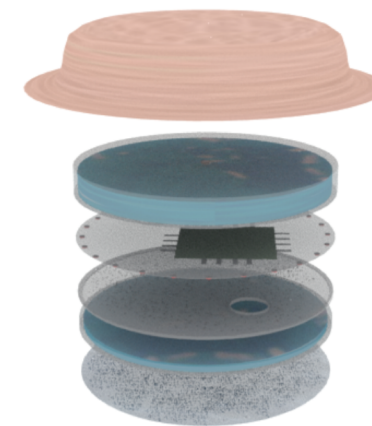
2019/20

How to stop/limit the development of multi resistant germs?

It is expected that by the year 2050, 100,000 people will die each year due to the rise of multi-resistant germs and the ineffectiveness of common antibiotics. This proves the topic to be of extreme relevance.

Outcome

The Simple Medicine Applicator aims to stop the further development of multi-resistant germs by preventing the misuse of antibiotics. The system is composed by a sensor bracelet and a transdermal patch and will achieve this by supporting users in handling antibiotics correctly, while also personalizing and optimizing antibiotic therapy.



Transdermal Patch



Sensor Bracelet



ComImmunity

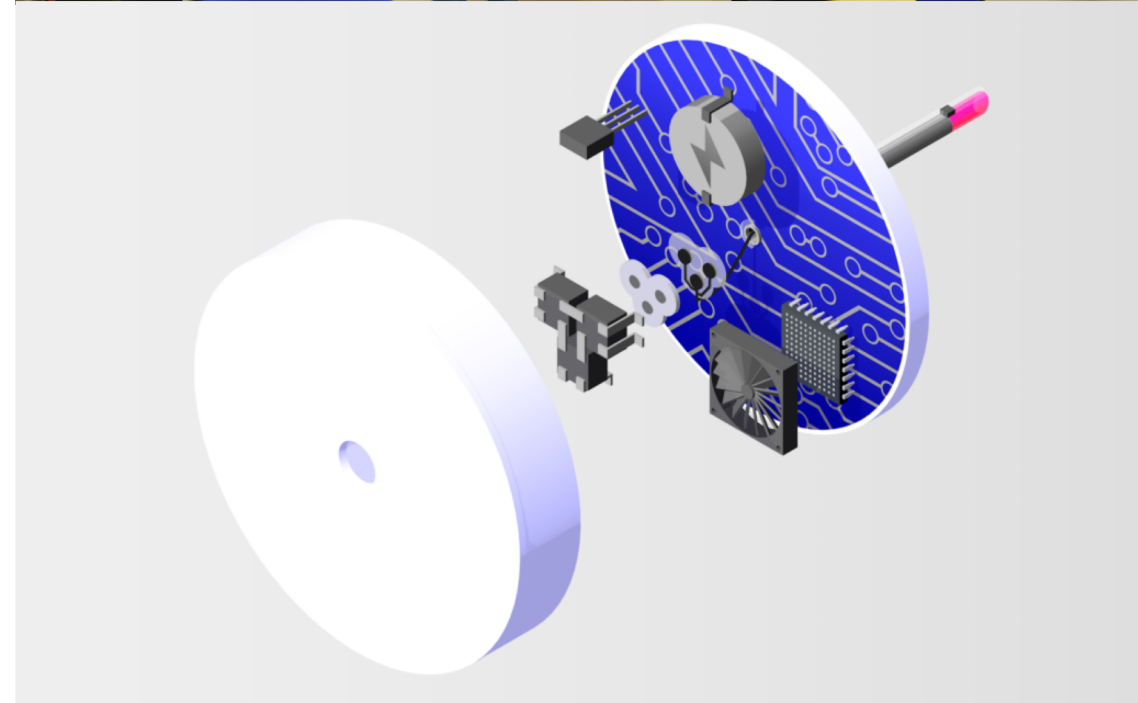
2019/20

How might we fight viruses and their spreading?

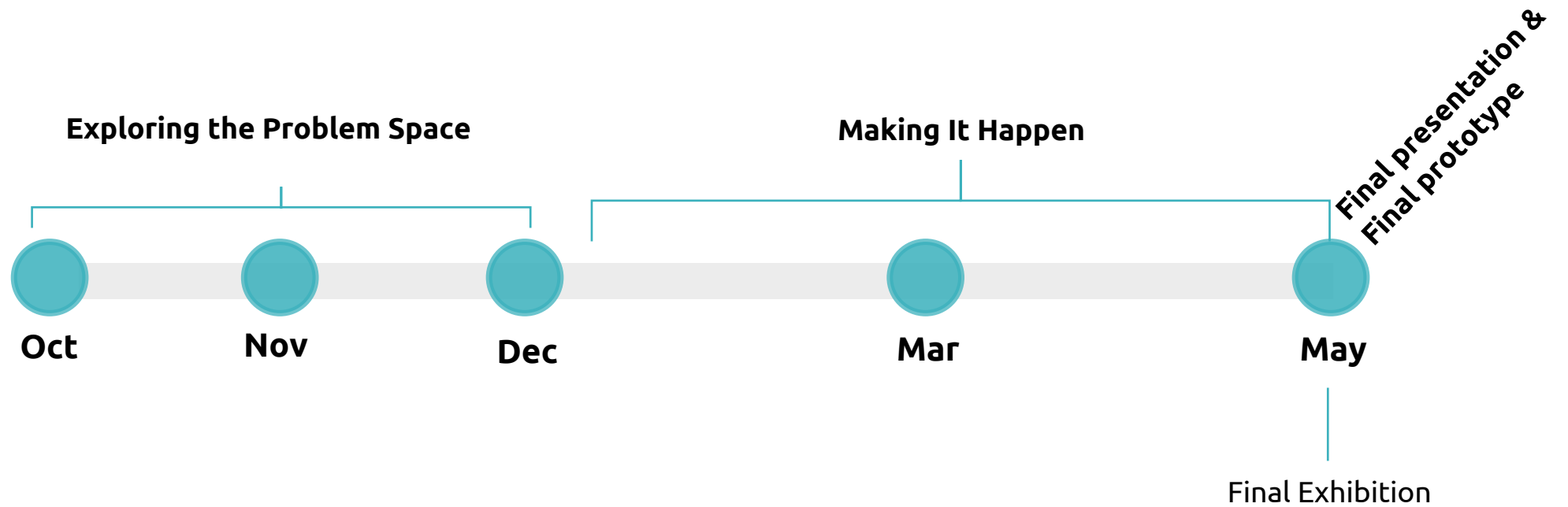
Our highly interconnected world and increasing population density are crucial for the occurrence and spread of old and new virus infections. Through factors such as tourism, migration and world trade, a virus can spread worldwide within a few days. Today, we are stuck with treating the symptoms of a viral infection rather than the virus itself and developing an effective vaccine can take years.

Outcome

ComImmunity is like antivirus software for your body. With this innovative drug-free method we fight the virus itself and not just the symptoms. By collecting users virus and antibody data it is possible to give your immune system a boost by providing help from people who have already shown a successful immune response if your body is not able to fight the virus on its own.



Preliminary Program Timeline



More information on projects

- all past projects : <https://inno-space.de/projects.html>
- deeper look at this years' CBI
 - presentation: <https://cbia32020.wixsite.com/showcase2020>
 - Blog Sima/Team Bee: <http://cbi.dfm.org.au/teambee/>
 - Blog ComImmunity/Team Clash: <http://cbi.dfm.org.au/clash/>



Contact us

Send us an email to inno.space@hs-mannheim.de



Find us online

